

## Implication of Type

LAS1	GQ	–	□□	□	□	/	□	/	□
Code of Series	GQ means metal crust type	Contact structure: <b>11</b> 1NO1NC <b>22</b> 2NO2NC <b>33</b> 3NO3NC	Code name of derivative products: <b>Z</b> alternate type <b>Y</b> key switch The momentary type is without letter	Type: <b>D</b> dot <b>R</b> ring No letter means without lamp.	The specific rating of the lamp with illuminated button is included in the lamp ratings form	Lamp color: <b>R</b> red <b>G</b> green <b>Y</b> yellow <b>O</b> orange <b>B</b> blue <b>W</b> white			

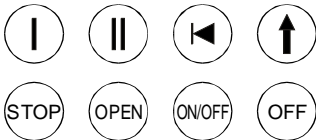
## Lamp Ratings

Lamp Type	LED					
Rated Voltage	AC/DC6V	AC/DC12V	AC/DC24V			
	AC/DC110V		AC/DC220V			
Colours	<b>R</b>	<b>G</b>	<b>Y</b>	<b>O</b>	<b>B</b>	<b>W</b>
Life	About 40,000 hours					

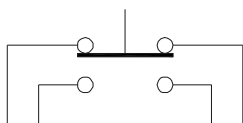
Note: There are protective resistor in the lamp, special voltage rate can be made to order.

## Engraving Options

- Special type can be made to order.
- Examples



## Switching Operation



NO.2

## Purchasing Notice

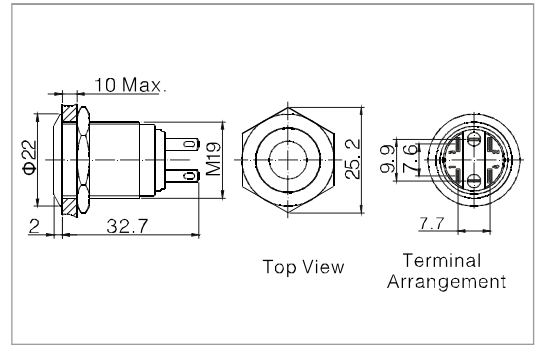
- Please write ONPOW code after check the Implication of Type and the detailed specification in the catalog..
- Please place an order over 1,000pcs if the products need to be made to order.
- All IP Degree listed in our forms can seal front of panel only.

# ANTI-VANDAL PUSHBUTTONS

## DOT ILLUMINATED PUSHBUTTON



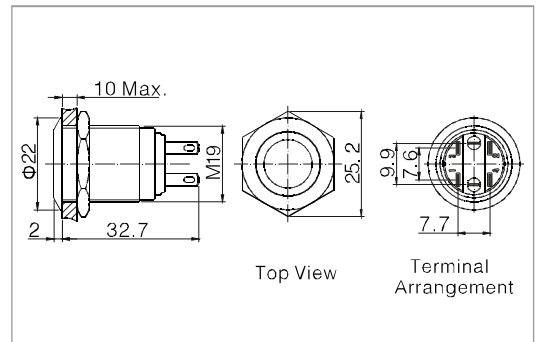
- ⊙  $\Phi$  19mm diameter
- ⊙ 5A, 250VAC
- ⊙ 1NO1NC
- ⊙ The crust material: Stainless Steel
- ⊙ Dot Illuminated
- ⊙ IP Degree: IP65



## RING ILLUMINATED PUSHBUTTON



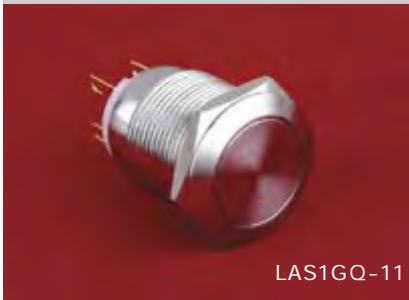
- ⊙  $\Phi$  19mm diameter
- ⊙ 5A, 250VAC
- ⊙ 1NO1NC
- ⊙ The crust material: Stainless Steel
- ⊙ Ring Illuminated
- ⊙ IP Degree: IP65



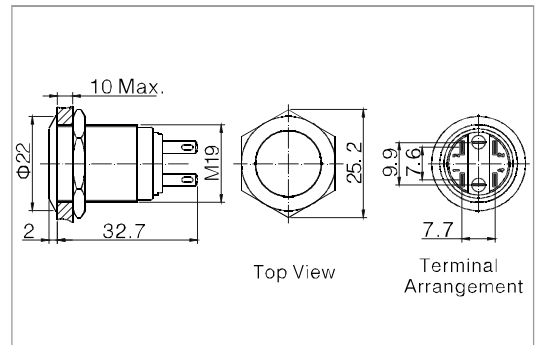
Specification		LAS1GQ-11□D	LAS1GQ-11□R
The Front Shape		Flat Round	Flat Round
Terminations		Soldering(Pin Terminal)/2.8mm tabs	Soldering(Pin Terminal)/2.8mm tabs
Switching		NO.2	NO.2
Max. Switch Rating		5A/250VAC	5A/250VAC
Contact Resistance		$\leq 50m\Omega$	$\leq 50m\Omega$
Insulation Resistance		$\geq 1000M\Omega$	$\geq 1000M\Omega$
Dielectric Strength		2000VAC	2000VAC
Operating Temp.		- 20°C ~ + 70°C	- 20°C ~ + 70°C
Mechanical life		1,000,000 cycles	1,000,000 cycles
Electrical life		50,000 cycles	50,000 cycles
Contact material		Silver Alloy	Silver Alloy
Panel Thickness		1 ~ 10mm	1 ~ 10mm
Torque		5 ~ 14Nm	5 ~ 14Nm
Operation Pressure		5.5N	5.5N
IP Degree		IP65	IP65
Material	Button	Stainless Steel	Stainless Steel
	Body	Stainless Steel	Stainless Steel
	Base	PBT	PBT
RoHS		Made to order	Made to order
LED Spec.	Type	Dot Illuminated(LED)	Ring Illuminated(LED)
	Rated Voltage	6V / 12V / 24V / 110V / 220V	6V / 12V / 24V / 110V / 220V
	Color	<span style="color: red;">R</span> <span style="color: green;">G</span> <span style="color: yellow;">Y</span> <span style="color: orange;">O</span> <span style="color: blue;">B</span> <span style="border: 1px solid black; padding: 0 2px;">W</span>	<span style="color: red;">R</span> <span style="color: green;">G</span> <span style="color: yellow;">Y</span> <span style="color: orange;">O</span> <span style="color: blue;">B</span> <span style="border: 1px solid black; padding: 0 2px;">W</span>
	Life	40,000 hours	40,000 hours

# ANTI-VANDAL PUSHBUTTONS

## PUSHBUTTONS



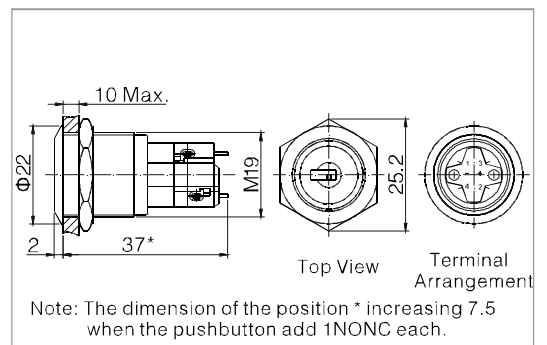
- ⊙  $\Phi$ 19mm diameter
- ⊙ 5A, 250VAC
- ⊙ 1NO1NC
- ⊙ The Front Shape: Flat Round
- ⊙ The crust material: Stainless Steel
- ⊙ IP Degree: IP65



## KEY SWITCHES



- ⊙  $\Phi$ 19mm diameter
- ⊙ 5A, 250VAC
- ⊙ 1NO1NC/2NO2NC/3NO3NC/4NO4NC
- ⊙ Two position remain
- ⊙ The crust material: Stainless Steel
- ⊙ IP Degree: IP40



Specification	LAS1GQ-11	LAS1GQ-11Y
The Front Shape	Flat Round	Round
Terminations	Soldering(Pin Terminal)/2.8mm tabs	Soldering(Pin Terminal)
Switching	NO.2	NO.2
Max. Switch Rating	5A/250VAC	5A/250VAC
Contact Resistance	$\leq 50m\Omega$	$\leq 50m\Omega$
Insulation Resistance	$\geq 1000M\Omega$	$\geq 1000M\Omega$
Dielectric Strength	2000VAC	2000VAC
Operating Temp.	- 20°C ~ + 70°C	- 20°C ~ + 70°C
Mechanical life	1,000,000 cycles	1,000,000 cycles
Electrical life	50,000 cycles	50,000 cycles
Contact material	Silver Alloy	Silver Alloy
Panel Thickness	1 ~ 10mm	1 ~ 10mm
Torque	5 ~ 14Nm	5 ~ 14Nm
Operation Pressure	5.5N	5.5N
IP Degree	IP65	IP40
Material	Button	Aluminum
	Body	Stainless Steel
	Base	Bakelite
RoHS	Made to order	Made to order